

EB 281C

EB antipollution non-return valves

System 01

Technical Data Sheet



Description

The non-return valve EB 281C is certified to the NF antipollution norms. This non-return valve is designed for the protection of drinking water network against polluted backflow which has no recognized toxic or microbiological risks to human health. It is particularly suitable for mounting after watermeter.

- Operates in any position
- Minimum head loss
- Silent and robust
- Does not generate hammering
- Closing system : double axial guiding with return spring
- Excellent sealing at high as well as at low pressure ensured by a specially designed lip ring-seal



EB 281C

EB antipollution non-return valves - System 01

DN		PFA in bar	PS in bar				Cat.	Ref.	Weight Kg
M "	F "		L1	L2	G1	G2			
1/2	1/2	10	10	10	10	10	4.3	149B2065	0,605
3/4	3/4	10	10	10	10	10	4.3	149B2514	0,100

Important notice :

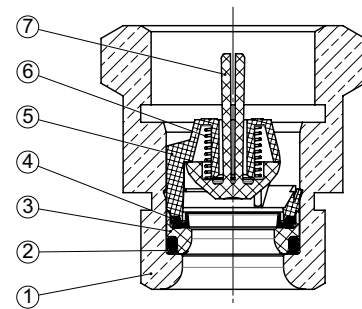
The indicated pressure for the different categories of fluids (L1/L2/G1/G2) is under no condition a guarantee of use. Therefore, it is essential to validate the use of products under given operating conditions.

Technical features

Operating temperature	-10°C at 65°C
Permissible operating pressure (PFA) in water	See table above
Maximum permissible pressure (PS) other mediums	See table above
Connection	Male /Female, BSP thread
Mediums	Clear non corrosive liquids, gas

Nomenclature and materials

N°	Description	Materials	EURO
1	Body	Chromed brass	EN 12165-CuZn40Pb2-H080 4MS
2	O-ring	EPDM	EPDM
3	Seat	Hostaform natural	Hostaform C13031 Naturel
4	Seal	EPDM	
5	Guide	Hostaform natural	Hostaform C13031 Natural
6	Spring	Stainless steel	EN10270-3-X10CrNi18-8
7	Closing system	Hostaform natural	Hostaform C13031 Natural



Approvals



International construction Standards :

NF Antipollution according to NF EN 13959 - EN1717

Thread connection according to NF EN ISO 228-1 or ISO 7.1

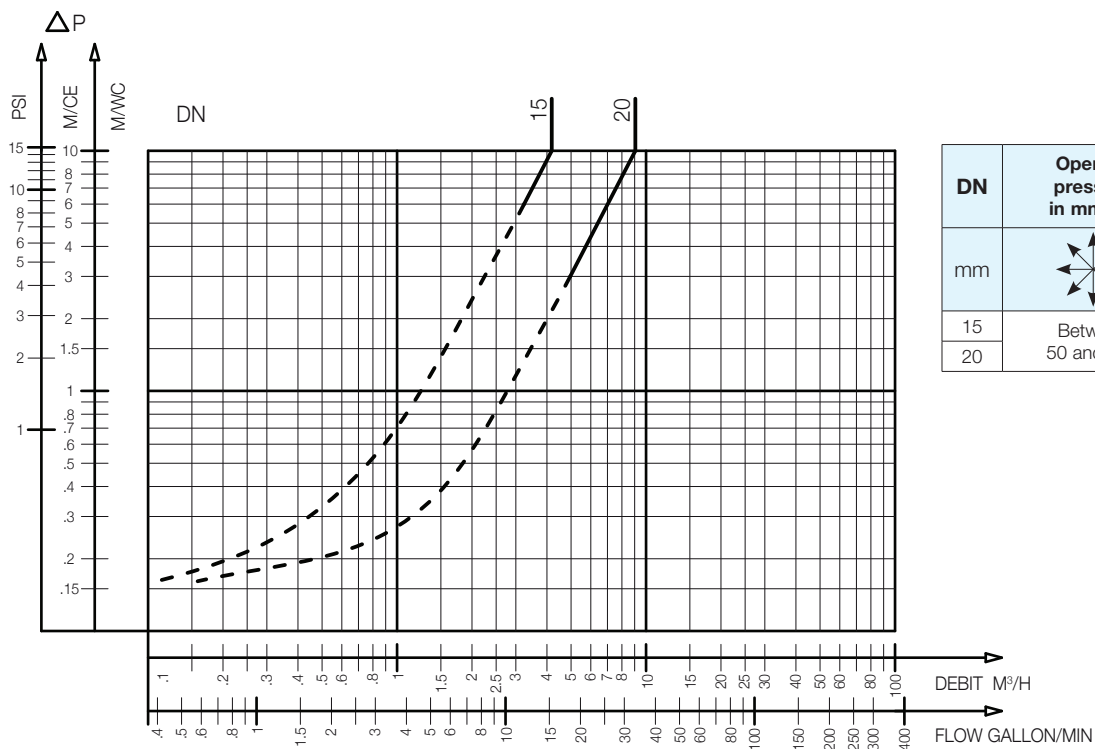
Application

Housing, water distribution, protection of drinking water networks.

Operation

Direction for use :

- Solid line: Valve completely open
- Dotted line: opening stage of valve

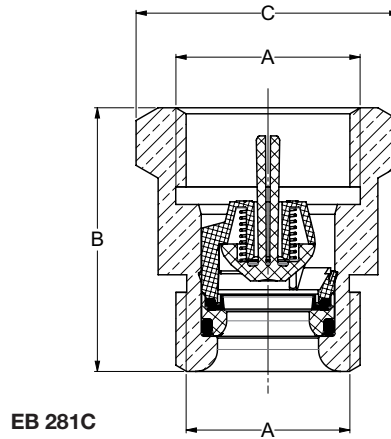


DN	Opening pressure in mm/CE	Kv	ζ
mm	Between 50 and 200	m³/H	
15		4,18	4,63
20		9,1	3,11

EB 281C - Headloss chart

Sizing

Connection A		B	C
M "	F "	mm	mm
1/2	1/2	30	26
3/4	3/4	38	30



The descriptions and photographs contained in this product specification sheet are supplied by way of information only and are not binding.
Socla reserves the right to carry out any technical and design improvements to its products without prior notice. Warranty : All sales and contracts for sale are expressly conditioned on the buyer's assent to Socla terms and conditions found on its website at www.socla.com. Socla hereby objects to any term, different from or additional to Socla terms, contained in any buyer communication in any form, unless agreed to in a writing signed by an officer of Socla.



A WATTS Brand

Socla sas

365 rue du Lieutenant Putier • 71530 Virey-Le-Grand • France

Tél. +33 03 85 97 42 00 • Fax +33 03 85 97 42 42

contact@wattswater.com • www.socla.com

ISO 9001 version 2015 / ISO 18001