

# AB 900

Safety valve protect to water hammering  
Protection overpressure

## Technical Data Sheet



## Description

The valves AB 900 has the function of protecting the pipes against overpressure, (water hammering), whatever its origin, by evacuating the water in excess straightaway.

The mechanism consists of a spring which is adjustable to the correct weight to hold the valve firmly in place against the seat. When a pressure wave occurs, this causes compression of the spring and the opening of the valve to allow evacuation of the water.

It should be noted that the stem is designed to compensate for defect of alignment which could be caused by hydraulic pressure on the valve and by the force of the spring.



## AB 900

Safety valve protect to water hammering / Protection overpressure

DN		PN	PFA in bar	Ref.	Settings available	Weight Kg
"	mm					
2 1/4	60	10/16	16	<b>149B5891</b>	A / B / C	30
2 1/2	65	10/16	16	<b>149B5892</b>	A / B / C	30
3	80	10/16	16	<b>149B5893</b>	A / B / C	32
4	100	10/16	16	<b>149B5894</b>	A / B / C	36
5	125	10/16	16	<b>149B5895</b>	A / B / C	65
6	150	10/16	16	<b>149B5896</b>	A / B / C	80
8	200	10	10	<b>149B5897A</b>	1 to 10 bar	120
8	200	16	16	<b>149B5897C</b>	9 to 16 bar to	120
2 1/4	60	25	25	<b>149B009172</b>	16 to 25 bar	30
2 1/2	65	25	25	<b>149B009174</b>	16 to 25 bar	30
3	80	25	25	<b>149B009175</b>	16 to 25 bar	32
4	100	25	25	<b>149B009176</b>	16 to 25 bar	36
5	125	25	25	<b>149B009178</b>	16 to 25 bar	65
6	150	25	25	<b>149B009179</b>	16 to 25 bar	80

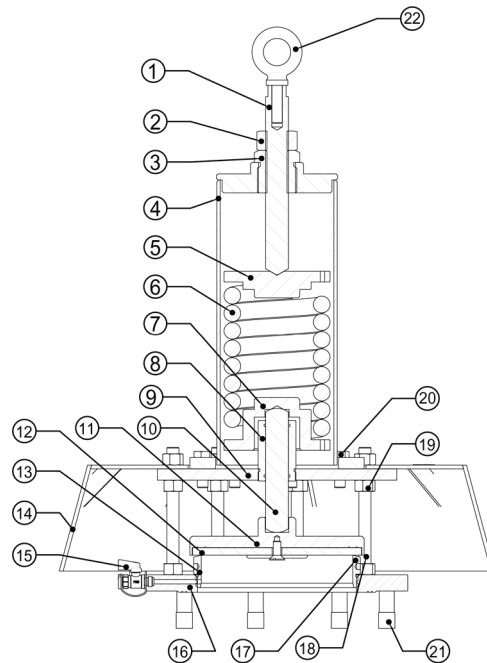
**Settings available :**

- A : 1 to 7 bar
- B : 6 to 12 bar
- C : 10 to 16 bar

Technical features	
Operating temperature	0 °C to 60 °C
Permissible operating pressure (PFA) in water	See table above
Connection	Flanges drilled PN (See table above)
Mediums	Clear liquids

**Nomenclature and materials**

N°	Designation	Materials
1	Regulating screw	Stainless steel
2	Nut	Stainless steel
3	Upper nut	Bronze
4	Cap	DN 60 to 125 Cast iron / Epoxy
		DN 150 to 200 Steel + epoxy
5	Upper guide	Steel + epoxy
6	Spring	Steel + epoxy
7	Lower guide	Steel + epoxy
8	Bearing	Bronze
9	Upper flange	Steel + epoxy
10	Shaft	Stainless steel
11	Closing system	Steel + epoxy
12	Seal	Polyurethane
13	O-ring	EPDM
14	Cover	Steel + epoxy
15	Ball valve M/F	Brass
16	Lower flange	Steel + epoxy
17	Seat	Stainless steel
18	Threaded stem	Stainless steel
19	Nut	Stainless steel
20	Screw	Stainless steel
21	Threaded stem DN 200	Stainless steel
22	Eye bolt DN 150 to 200	Galvanised steel



**Approvals**

**ACS**

**International construction Standards :**  
Flange drilling according to EN1092-2

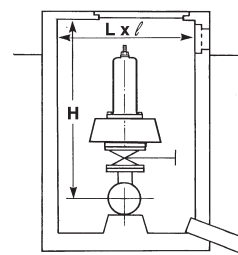
**Application**

Water distribution.

**Installation**

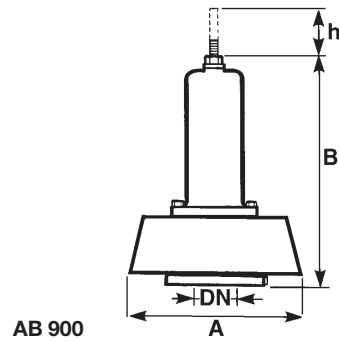
DN	H	L x l
mm	mm	mm
60-65	1200	1500 x 1500
80	1200	1500 x 1500
100	1200	1500 x 1500
125	1500	1700 x 1700
150	1500	1700 x 1700
200	1700	1700 x 1700

AB 900 - Vertical mounting



## Sizing

DN		A	B	h
"	mm	mm	mm	mm
2 1/4	60	380	510	120
2 1/2	65	380	510	120
3	80	380	510	120
4	100	400	520	120
5	125	570	550	130
6	150	570	550	150
8	200	690	700	180



The descriptions and photographs contained in this product specification sheet are supplied by way of information only and are not binding.

Socla reserves the right to carry out any technical and design improvements to its products without prior notice. Warranty : All sales and contracts for sale are expressly conditioned on the buyer's assent to Socla terms and conditions found on its website at [www.socla.com](http://www.socla.com). Socla hereby objects to any term, different from or additional to Socla terms, contained in any buyer communication in any form, unless agreed to in a writing signed by an officer of Socla.



**A WATTS Brand**

**Socla sas**

365 rue du Lieutenant Putier • 71530 Virey-Le-Grand • France

Tel. +33 03 85 97 42 00 • Fax +33 03 85 97 42 42

[contact@wattswater.com](mailto:contact@wattswater.com) • [www.socla.com](http://www.socla.com)

ISO 9001 version 2015 / ISO 18001