

# 46X

Strainer without valves

Accessories

## Technical Data Sheet



## Description

- Perforated surface of the strainer equal to 3 times the nominal passage
- Perforation of the strainer :
  - DN 40 to 300 ;  $\varnothing$  6 on 8,5 mm centres
  - DN 350 to 1000 ;  $\varnothing$  10 on 13 mm centres



### 46X

Strainer without valves - Accessoires

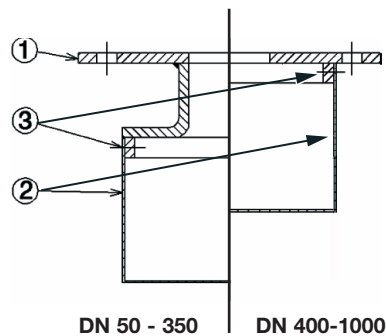
DN		PN	Ref.	Weight Kg
"	mm			
1 1/2	40	10/16	<b>149B5846A</b>	0,63
2	50	10/16	<b>149B5847A</b>	0,73
2 1/2	65	10/16	<b>149B5848A</b>	0,91
3	80	10/16	<b>149B5849A</b>	1,01
4	100	10/16	<b>149B5850A</b>	1,23
5	125	10/16	<b>149B5851A</b>	1,91
6	150	10/16	<b>149B5852A</b>	2,46
7	175	10/16	<b>149B5853A</b>	2,46
8	200	10	<b>149B5854A</b>	4,35
10	250	10	<b>149B5855A</b>	9,34
12	300	10	<b>149B5856A</b>	11,62
14	350	10	<b>149B5857A</b>	14,03
16	400	10	<b>149B5858A</b>	17,25
18	450	10	<b>149B5859A</b>	20,60
20	500	10	<b>149B5860A</b>	25,16
24	600	10	<b>149B5861A</b>	48,15
28	700	10	<b>149B5862A</b>	70,32
32	800	10	<b>149B5863A</b>	89,63
36	900	10	<b>149B5864A</b>	110,42
42	1000	10	<b>149B5865A</b>	135,05

#### Technical features

Operating temperature	-10 °C to 350 °C
Connection	Plate flange drilled PN (see table)
Mediums	Sea water, corrosive fluides

#### Nomenclature and materials

N°	Description	Materials
1	Flange	Stainless steel
2	Strainer	Stainless steel
3	Screw	Stainless steel



# Approvals



**International construction Standards :**  
Flange drilling according to EN 1092-2

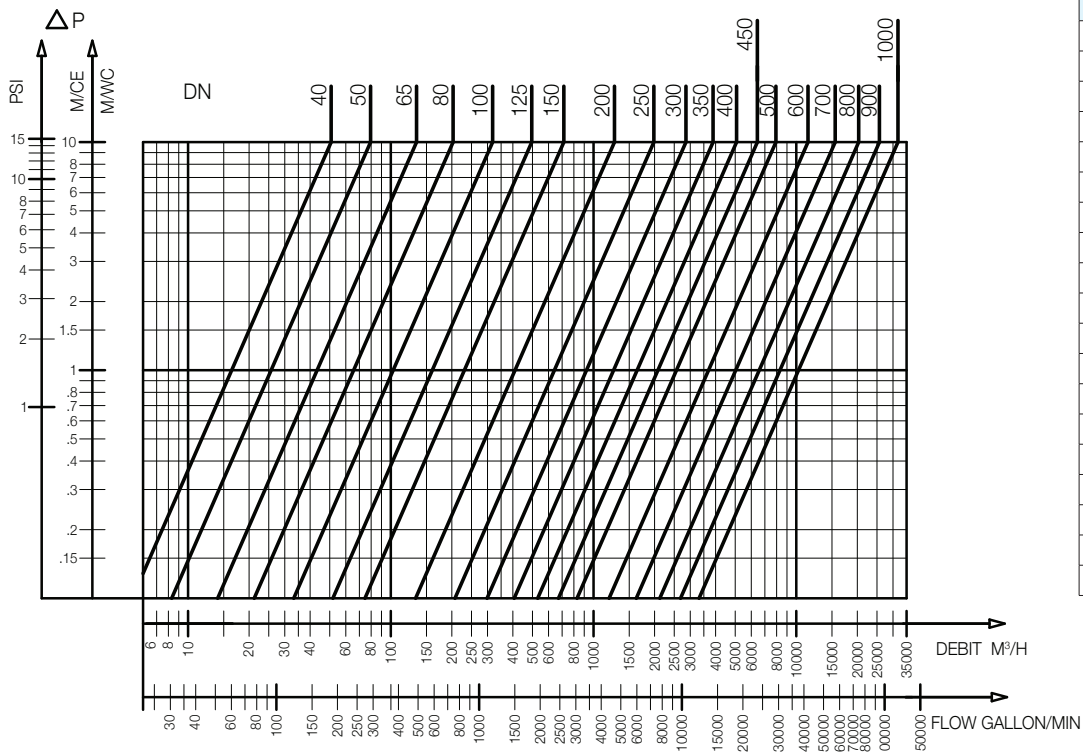
# Application

Pumping of corrosive fluids, sea water, industrial processes.

# Operation

**Direction for use :**

- Solid line: Valve completely open

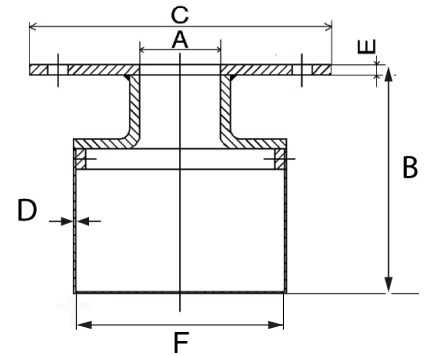


DN	Kv	ζ
"	m³/H	
40	50,8	1,59
50	79,5	1,59
65	134,2	1,59
80	203,2	1,59
100	318	1,59
125	496	1,59
150	714,3	1,59
200	1269,8	1,59
250	1984	1,59
300	2856	1,59
350	3888,8	1,59
400	5078,7	1,59
450	6428,3	1,59
500	7936,2	1,59
600	11428,1	1,59
700	15555	1,59
800	20316,7	1,59
900	25714,3	1,59
1000	31745	1,59

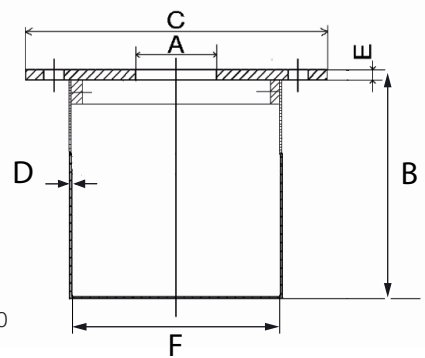
46X - Headloss chart

## Sizing

	A	B	C	D	E	F
"	mm	mm	mm	mm	mm	mm
1 1/2	40	95	150	1	5	72
2	50	87	165	1	5	87
2 1/2	65	106	185	1	5	107
3	80	126	200	1	5	122
4	100	154	220	1	5	142
5	125	194	250	1,5	5	172
6	150	217	285	1,5	5	195
7	175	235	315	1,5	8	240
8	200	254	340	1,5	8	250
10	250	352	395	2	8	305
12	300	382	445	2	8	355
14	350	402	505	2	8	425
16	400	430	565	2	8	463
18	450	480	615	2	8	513
20	500	548	670	2	8	568
24	600	654	780	3	8	667
28	700	822	895	3	10	782
32	800	918	1015	3	10	892
36	900	1044	1115	3	10	992
42	1000	1158	1230	3	10	1092



**46X**  
DN 50 - 350



**46X**  
DN 400 - 1000

The descriptions and photographs contained in this product specification sheet are supplied by way of information only and are not binding.

Socla reserves the right to carry out any technical and design improvements to its products without prior notice. Warranty : All sales and contracts for sale are expressly conditioned on the buyer's assent to Socla terms and conditions found on its website at [www.socla.com](http://www.socla.com). Socla hereby objects to any term, different from or additional to Socla terms, contained in any buyer communication in any form, unless agreed to in a writing signed by an officer of Socla.



**A WATTS Brand**

**Socla sas**

365 rue du Lieutenant Putier • 71530 Virey-Le-Grand • France

Tel. +33 03 85 97 42 00 • Fax +33 03 85 97 42 42

contact@wattswater.com • [www.socla.com](http://www.socla.com)

ISO 9001 version 2015 / ISO 18001