

Technical data sheet

Type X2900F

2-piece ball valve

Handle with locking system

Applications and special features



- Casing and ball in stainless steel 316
- PTFE seal
- Full bore
- Flange connection
- ISO 5211 top connection
- Handle with locking system.

Technical description

DN	PFA bar	Cat				Cat	References	Vvs-nr	
		L1	L2	G1	G2				
1/2	15	40	40	40	40	3.3	149B12094		
3/4	20	40	40	40	40	3.3	149B12095		
1	25	40	40	40	40	3.3	149B12096		
1 ^{1/4}	32	40	40	x	40	3.3	149B12097		
1 ^{1/2}	40	40	40	x	25	3.3	149B12098		
2	50	40	40	x	20	3.3	149B12099		
2 ^{1/2}	65	16	16	x	15	3.3	149B12100		
3	80	40	25	40	x	12	3.3	149B12101	
4	100	16	16	x	10	3.3	149B12102		

Important notice :

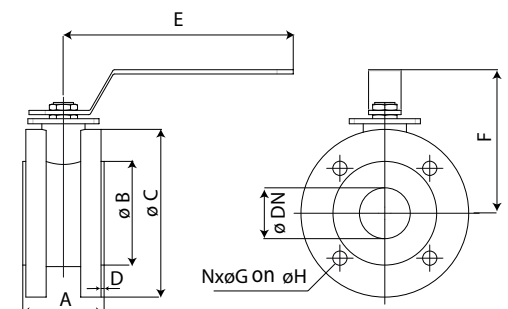
The indicated pressure for the different categories of fluids (L1/L2/G1/G2) is under no condition a guarantee of use. Therefore, it is essential to validate the use of products under given operating conditions.

- **Connection** : with flange, dimensions according to DIN 2501
- **Permissible operating pressure PFA - water-** (for supply, distribution and disposal of water) : See table
- **Maximum permissible pressure PS - other mediums** : see table
- **θ** : Mini. -20°C
Maxi. +100°C
- **Mediums** : neutral gas and liquids, viscosity up to 120 mm²/s

(*) DN65 and DN100 : 16 bar

Overall dimensions

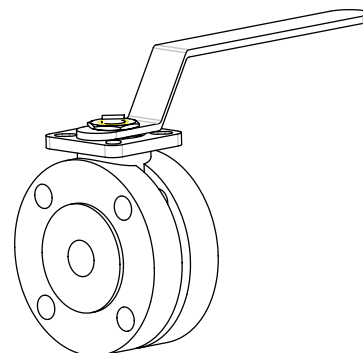
DN	A	øB	øC	D	E	F	Weight	Flange			
								N	G	øH	
1/2	15	41	45	81	2	145	80	1,28	4	M12	65
3/4	20	44	58	99	2	145	85	1,64	4	M12	75
1	25	50	68	115	2	184	102	2,79	4	M12	85
1 ^{1/4}	32	60	78	140	2	184	114	4,19	4	M16	100
1 ^{1/2}	40	65	88	150	3	226	134	5,17	4	M16	110
2	50	80	102	165	3	226	141	6,54	4	M16	125
2 ^{1/2}	65	110	122	185	3	366	160	11,98	4	M16	145
3	80	120	138	200	3	366	170	14,85	8	M16	160
4	100	150	158	220	3	366	183	20,20	8	M16	180



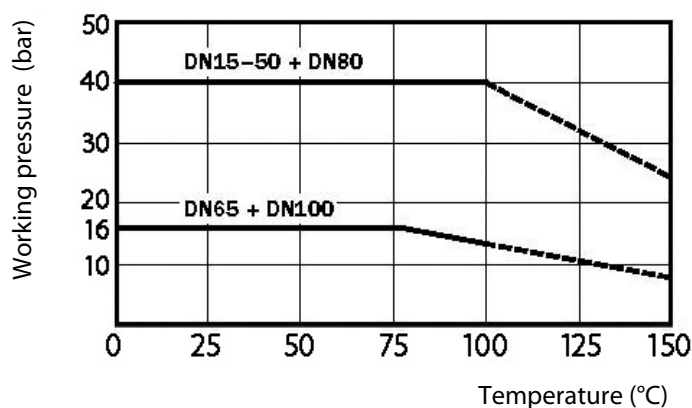
Technical data sheet **Type X2900F** - Ball valves - handle with locking system

Spare parts list and materials

Description	Materials	EURO	ANSI
CASING	Stainless steel	AISI 316	1.4408
BALL	Stainless steel	AISI 316	1.4408
SHAFT	Stainless steel	AISI 316	1.4408
BALL SEAL	PTFE		
SHAFT SEAL	PTFE		
HANDLE	Stainless steel		



Working principle



----- Please consult us

Socla can accept no responsibility for possible errors in catalogue, brochures and other printed material. Socla reserve the right to alter its products without notice. This also applies to products already agreed. All trademarks in this material are the property of the respective companies. All right reserved.

Socla SAS

365 rue du lieutenant Putier
71530 VIREY LE GRAND
Postal address : BP 10273
71107 CHALON SUR SAONE Cedex

Tel : 33 3 85 97 42 52
Fax : 33 3 85 97 97 42
<http://www.socla.com>
e-mail: commerfr@socla.com