

# EA 271

EA antipollution non-return valves  
System 01

## Technical Data Sheet



## Description

The non-return valve EA 271 is certified to the NF antipollution norms. This non-return valve is designed for the protection of drinking water network against polluted backflow which has no recognized toxic or microbiological risks to human health. It is particularly suitable for mounting after watermeter.

- Operates in any position
- Minimum head loss
- Silent and robust
- Does not generate hammering
- Closing system : double axial guiding with return spring
- Excellent sealing at high as well as at low pressure ensured by a specially designed lip ring-seal
- Drilled bosses 1/4" with plug.



## EA 271

EA antipollution non-return valves - System 01

DN		PFA in bar	PS in bar				Cat.	Ref.	Weight Kg
"	mm		L1	L2	G1	G2			
1/2	15	10	10	10	10	10	4.3	<b>149B2300</b>	0,24
3/4	20	10	10	10	10	10	4.3	<b>149B2201K</b>	0,18
1	25	10	10	10	10	10	4.3	<b>149B2202K</b>	0,34
1 1/4	32	10	10	10	x	10	4.3	<b>149B2203K</b>	0,52
1 1/2	40	10	10	10	x	10	4.3	<b>149B2204K</b>	0,73
2	50	10	10	10	x	10	4.3	<b>149B2205K</b>	1,33

### Important notice :

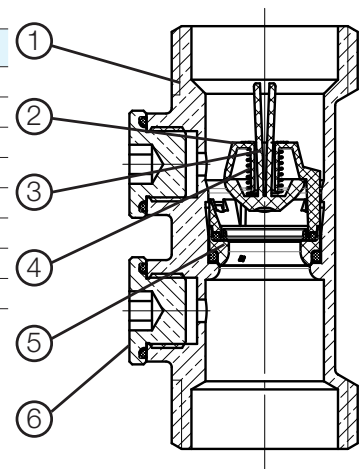
The indicated pressure for the different categories of fluids (L1/L2/G1/G2) is under no condition a guarantee of use. Therefore, it is essential to validate the use of products under given operating conditions. Danfoss Socla is not responsible for non-adaptation of the product to working conditions not previously specified by the customer.

### Technical features

Operating temperature	-10 °C at 80 °C
Permissible operating pressure (PFA) in water	See table above
Maximum permissible pressure (PS) other mediums	See table above
Connection	Male/male, BSP thread
Mediums	Clear liquids, gas

### Nomenclature and materials

N°	Description	Materials	EURO	ANSI
1	Body	Brass	CuZn39Pb1AL-C	
2	Guide	PPO (Polyphenylene oxyde)		
3	Closing System	POM (polyacetal)		
4	Spring	Stainless steel	X10CrNi18-8	AISI 302
5	Seal	DN 3/4"	NBR (Nitrile)	
6	Plug	DN 3/4"	Brass	
		other DN	POM (polyacetal)	CuZn40Pb2
	Seal		EPDM	



## Approvals



**International construction Standards :**  
 NF Antipollution according to NF EN 13959 - EN1717  
 Thread connection according to NF EN ISO 228-1 or ISO 7.1

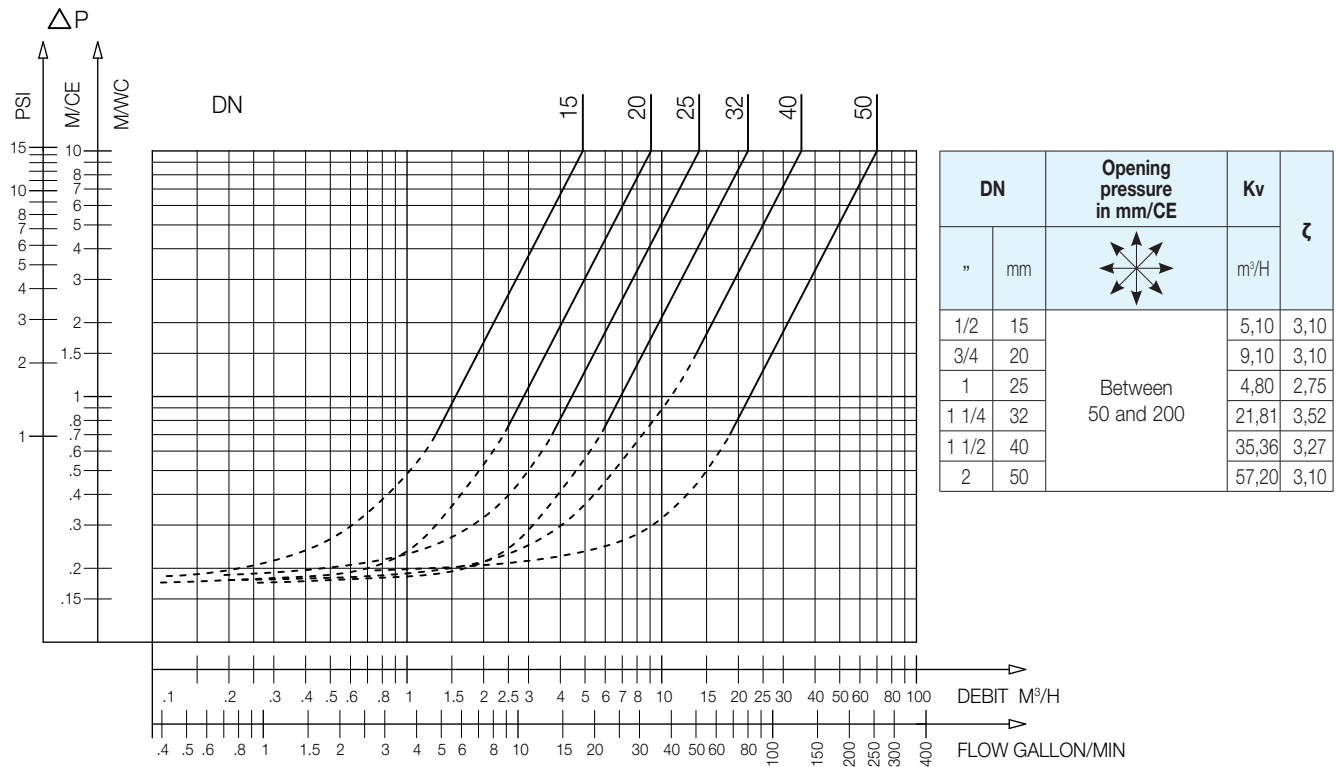
## Application

Housing, water distribution, protection of drinking water networks.

## Operation

**Direction for use :**

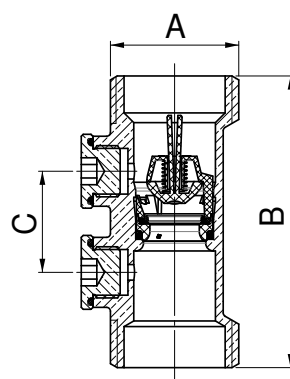
- Solid line: Valve completely open
- Dotted line: opening stage of valve



EA 271 - Headloss chart

## Sizing

DN	Connection A		B	C
	"	mm		
15	3/4	20/27	65	20
20	1	26/34	75	24
25	1 1/4	33/42	80	34
32	1 1/2	40/49	110	30
40	2	50/60	120	34
50	2 1/2	66/76	150	39



The descriptions and photographs contained in this product specification sheet are supplied by way of information only and are not binding.

Socla reserves the right to carry out any technical and design improvements to its products without prior notice. Warranty : All sales and contracts for sale are expressly conditioned on the buyer's assent to Socla terms and conditions found on its website at [www.socla.com](http://www.socla.com). Socla hereby objects to any term, different from or additional to Socla terms, contained in any buyer communication in any form, unless agreed to in a writing signed by an officer of Socla.



**A WATTS Brand**

**Socla sas**

365 rue du Lieutenant Putier • 71530 Virey-Le-Grand • France

Tel. +33 03 85 97 42 00 • Fax +33 03 85 97 42 42

[contact@wattswater.com](mailto:contact@wattswater.com) • [www.socla.com](http://www.socla.com)

ISO 9001 version 2015 / ISO 18001