

EA 251DE

EA antipollution non-return valves

System 01

Technical Data Sheet



Description

The non-return valve EA 251DE is certified to the NF antipollution norms. This non-return valve is designed for the protection of drinking water network against polluted backflow which has no recognized toxic or microbiological risks to human health. It is particularly suitable for mounting after watermeter.

- Operates in any position
- Minimum head loss
- Silent and robust
- Does not generate hammering
- Closing system : double axial guiding with return spring
- Excellent sealing at high as well as at low pressure ensured by a specially designed lip ring-seal
- 2 drilled bosses 1/4" with Brass plugs, except DN15, drilled bosses 1/8"



EA 251DE

EA antipollution non-return valves - System 01

DN		PFA in bar	PS in bar				Cat.	Ref.	Weight Kg
C	"		L1	L2	G1	G2			
15	3/4	10	10	10	10	10	4.3	149B2121	0,195

*C : caliber / water meter

Important notice :

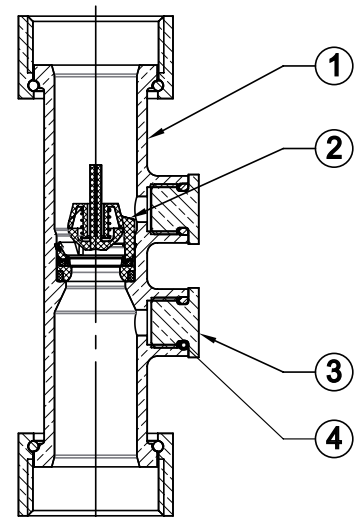
The indicated pressure for the different categories of fluids (L1/L2/G1/G2) is under no condition a guarantee of use. Therefore, it is essential to validate the use of products under given operating conditions.

Technical features

Operating temperature	Mini. -10 °C / continuous 65 °C / maxi. 90 °C
Permissible operating pressure (PFA) in water	See table above
Maximum permissible pressure (PS) other mediums	See table above
Connection	Double union nuts
Mediums	Clear liquids, gas

Nomenclature and materials

N°	Description	Materials
1	Body + Nut	Brass
2	Plates	Hostaform / EPDM
3	Plug	PPA
5	Seal	EPDM



Approvals

ACS 

International construction Standards :

- Antipollution check valves EN 13959
- Thread connection according to EN ISO 228-1
- Conforming to regulation NF 045 - Antipollution of water installations

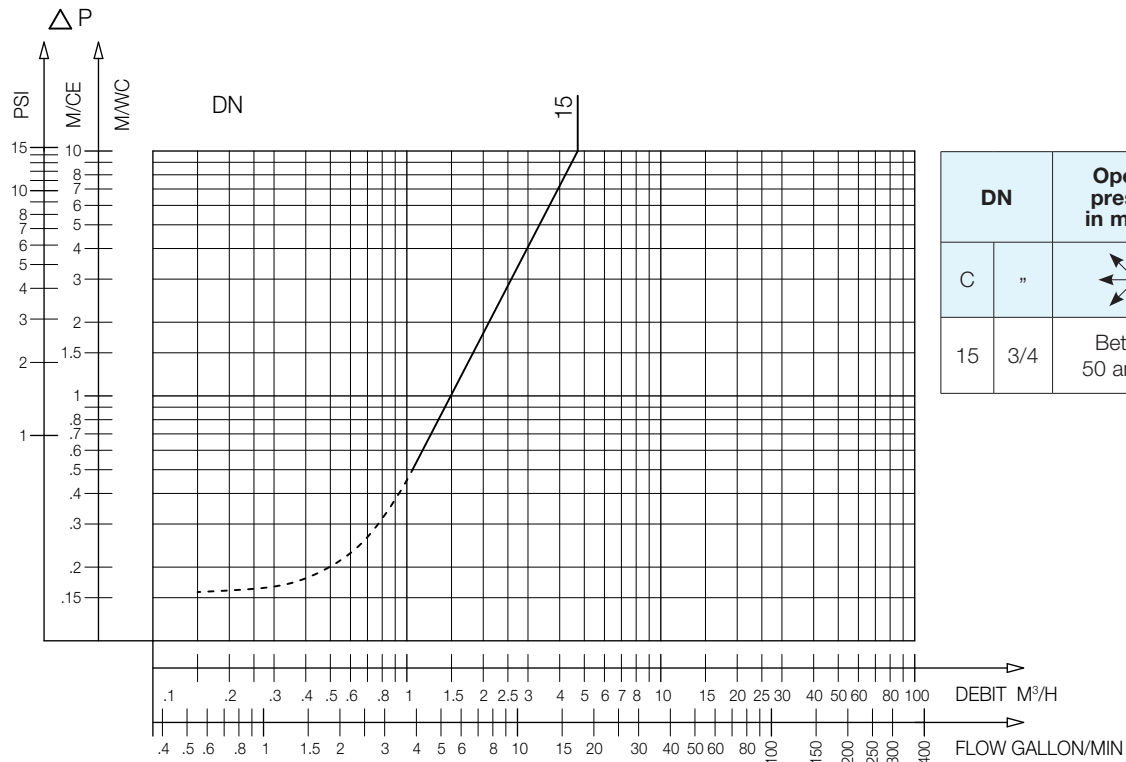
Application

Housing, water distribution, protection of drinking water networks.

Operation

Direction for use :

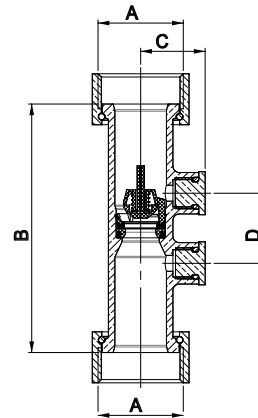
- Solid line: Valve completely open
- Dotted line: opening stage of valve



EA 251DE - Headloss chart

Sizing

DN	Connection A		B	C	D
C	"	mm	mm	mm	mm
15	3/4	20/27	78	20	22



EA 251DE

The descriptions and photographs contained in this product specification sheet are supplied by way of information only and are not binding.

Socla reserves the right to carry out any technical and design improvements to its products without prior notice. Warranty : All sales and contracts for sale are expressly conditioned on the buyer's assent to Socla terms and conditions found on its website at www.socla.com. Socla hereby objects to any term, different from or additional to Socla terms, contained in any buyer communication in any form, unless agreed to in a writing signed by an officer of Socla.



A WATTS Brand

Socla sas

365 rue du Lieutenant Putier • 71530 Virey-Le-Grand • France

Tel. +33 03 85 97 42 00 • Fax +33 03 85 97 42 42

contact@wattswater.com • www.socla.com

ISO 9001 version 2015 / ISO 18001