

# 627V

Non-return valve with single plate  
05 System

## Technical Data Sheet



## Description

Full stainless steel non-return valve with single plate :

- Can be installed horizontally or vertically upwards
- Compact
- Robust and reliable
- Simple design
- Easy installation



### 627V

Non-return valve with single plate - 05 System

DN mm	PN	PFA in bar	PS in bar				Cat.	Ref.	Weight Kg
			L1	L2	G1	G2			
40	10/16	16	16	16	16	16	I	<b>149F021226</b>	0,78
50	10/16	16	16	16	16	16	I	<b>149F021227</b>	0,93
65	10/16	16	16	16	15	16	I	<b>149F021228</b>	1,39
80	10/16	16	16	16	12	16	I	<b>149F021318</b>	1,67
100	10/16	16	16	16	10	16	I	<b>149F021319</b>	2,03
125	10/16	16	16	16	0,5	16	I	<b>149F021320</b>	2,90
150	10/16	16	13	16	0,5	16	I	<b>149F021321</b>	4,39
200	10	10	10	10	0,5	10	I	<b>149F021322</b>	9,04
250	10	10	10	10	0,5	10	I	<b>149F021323</b>	15,45
300	10	10	10	10	0,5	10	I	<b>149F021324</b>	23,95

NB : PN16 version : Please consult us

**Important notice :**

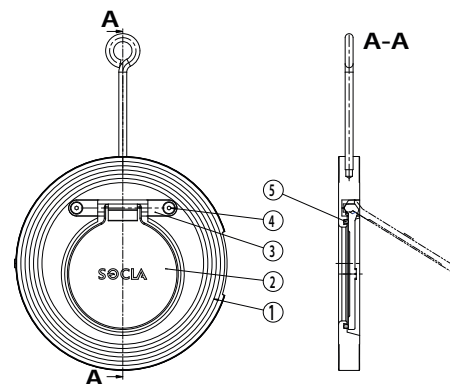
The indicated pressure for the different categories of fluids (L1/L2/G1/G2) is under no condition a guarantee of use. Therefore, it is essential to validate the use of products under given operating conditions. The operating instructions are available on our website [www.socla.com](http://www.socla.com) or by requesting from our sales department.

#### Technical features

Operating temperature	-10 °C to 150 °C
Permissible operating pressure (PFA) in water	See table above
Maximum permissible pressure (PS) other mediums	See table above
Connection	Flanges drilled PN (see table)
Maximum service velocity	5m/s
Mediums	Clear liquids, hydrocarbons

#### Nomenclature and materials

N°	Description	Materials	EURO	ANSI
1	Body	Stainless steel	GX5CrNiMo19-11-2	AISI 316
2	Disc	Stainless steel	GX5CrNiMo19-11-2	AISI 316
3	Disc holding	Stainless steel	X5CrNi18-10	AISI 304
4	Screw	Stainless steel	X5CrNi18-10	AISI 304
5	Seal	FKM		



## Approvals



### International construction Standards :

Directive 2014/68/UE

Flange drilling according to EN 1092-2

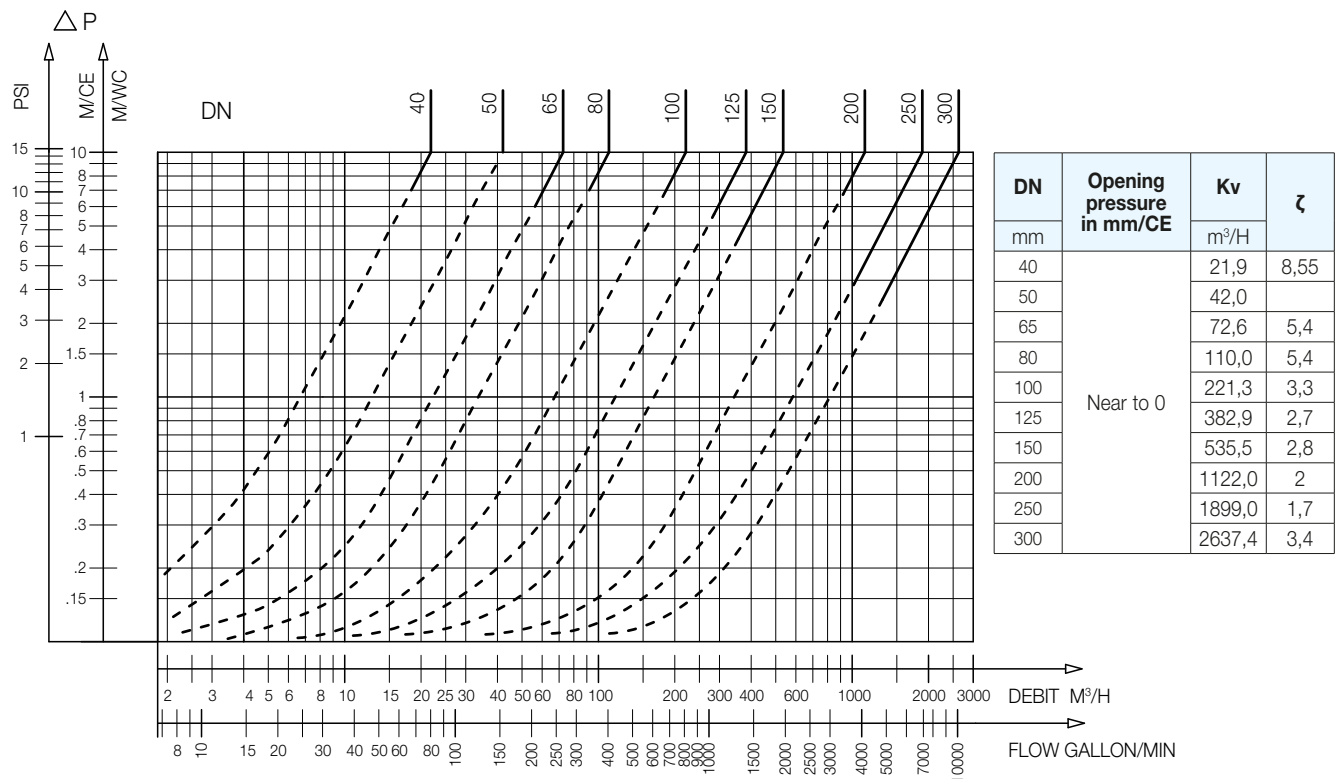
## Application

Main circuits, hydrocarbons, industrial processes

## Operation

### Direction for use :

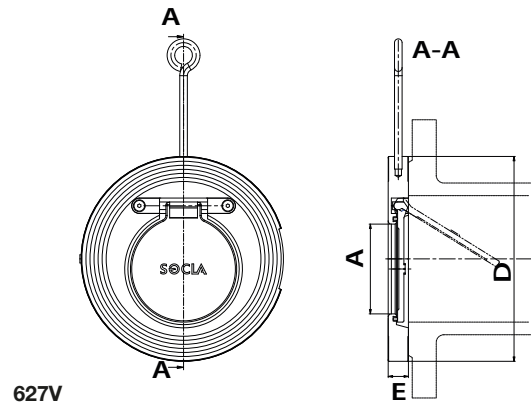
- Solid line: Valve completely open
- Dotted line: opening stage of valve



627V - Headloss chart

## Sizing

DN	A	D	E
mm	mm	mm	mm
40	22	94	16
50	32	106	16
65	42	129	16
80	53	144	16
100	71	162	16
125	94	194	16
150	114	220	19
200	164	275	28
250	199	331	32
300	240	380	38



The descriptions and photographs contained in this product specification sheet are supplied by way of information only and are not binding.

Socla reserves the right to carry out any technical and design improvements to its products without prior notice. Warranty : All sales and contracts for sale are expressly conditioned on the buyer's assent to Socla terms and conditions found on its website at [www.socla.com](http://www.socla.com). Socla hereby objects to any term, different from or additional to Socla terms, contained in any buyer communication in any form, unless agreed to in a writing signed by an officer of Socla.

**SOCLA**

**A WATTS Brand**

**Socla sas**

365 rue du Lieutenant Putier • 71530 Virey-Le-Grand • France  
 Tel. +33 03 85 97 42 00 • Fax +33 03 85 97 42 42  
[contact@wattswater.com](mailto:contact@wattswater.com) • [www.socla.com](http://www.socla.com)  
 ISO 9001 version 2015 / ISO 18001