

412

Non-return axial guided valve
02 System

Technical Data Sheet



A non-return valve is compatible with many types of fluids and can be adapted to a wide range of installations. However, each of these installations comes with their own particular constraints : mechanical, hydraulic, physical or chemical. The O2 system offers the best compromise between hydraulic performance, ruggedness, sealing-tightness and cost effectiveness with any kind of liquids (subject to a validation of our recommendation service).

Our valves meet the requirements of the Pressure Equipment Directive 2014/68/UE. This range extends from 125 to 300 mm. By its technology, it operates in any position for a lot of applications. It's compact and it doesn't generate hammering.

412

Non-return axial guided valve - O2 System



DN		PN	PFA in bar	PS in bar				Cat.	Ref.	Weight Kg
"	mm			L1	L2	G1	G2			
5	125	10/16	16	16	16	0,5	16	I	149B2254	20
6	150	10/16	16	13	16	0,5	16	I	149B2255	27,5
8	200	16	16	10	16	0,5	16	I	149B2256	49,2
10	250	16	16	10	16	0,5	14	I	149B2277	90
12	300	16	16	10	16	0,5	11	I	149B2278	120

Important notice :

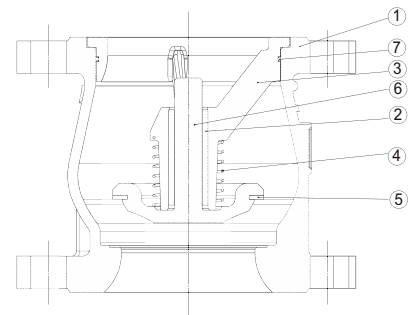
The indicated pressure for the different categories of fluids (L1/L2/G1/G2) is under no condition a guarantee of use. Therefore, it is essential to validate the use of products under given operating conditions. The operating instructions are available on our web site www.socla.com or by requesting from our sales department.

Technical features

Operating temperature	-10 °C to 100 °C
Permissible operating pressure (PFA) in water	See table above
Maximum permissible pressure (PS) other mediums	See table above
Connection	Flanges drilled PN (see table)
Mediums	Clear liquids, gas

Nomenclature and materials

N°	Description	Materials	EURO	ANSI
1	Body	Cast iron / Epoxy	EN 1561 EN-GJL-250	ASTM A 48 35 B
2	Ring	Bronze	EN 1982 CuSn5Zn5Pb2-C GS	
3	Guide	Cast iron / Epoxy	EN 1561 EN-GJL-250	ASTM A 48 35 B
4	Spring	Stainless steel	EN 10270-3 X10CrNi18-8	AISI 302
5	Seal	EPDM		
6	Stem	Bronze	EN 1982 CuSn5Zn5Pb2-C GS	
7	Closing system	Cast iron / Epoxy	EN 1561 EN-GJL-250	ASTM A 48 35 B



Approvals



International construction Standards :
 Directive 2014/68/UE
 Flange drilling according to EN 1092-2
 Overall dimensions adapted to submersible pumps

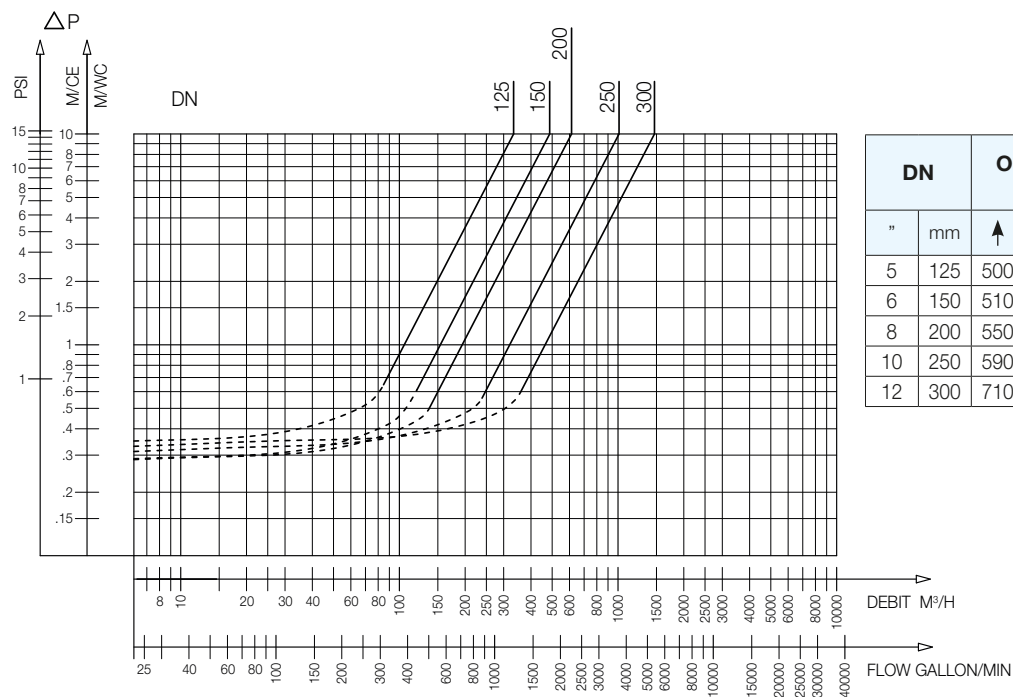
Application

Submersible pumps, water distribution.

Operation

Direction for use :

- Solid line : Valve completely open
- Dotted line : opening stage of valve

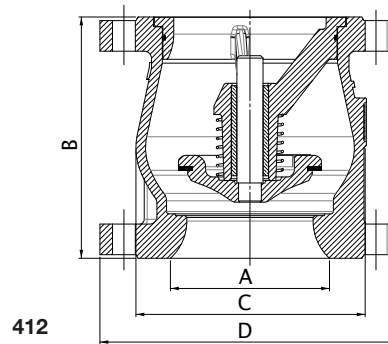


DN	Opening pressure in mm CE				Kv	ζ	
	"	mm	↑	↓			↔
5	125	500	240	370	130	333,8	3,00
6	150	510	210	360	150	487,7	3,50
8	200	550	210	380	170	613	6,80
10	250	590	210	400	190	1011,35	6,10
12	300	710	210	460	250	1468,4	6,00

412 - Headloss chart

Sizing

	A	B	C	D
"	mm	mm	mm	mm
5	125	201	190	250
6	150	220	212	285
8	200	280	266	340
10	250	345	324	405
12	300	365	420	460



The descriptions and photographs contained in this product specification sheet are supplied by way of information only and are not binding.

Socla reserves the right to carry out any technical and design improvements to its products without prior notice. Warranty : All sales and contracts for sale are expressly conditioned on the buyer's assent to Socla terms and conditions found on its website at www.socla.com. Socla hereby objects to any term, different from or additional to Socla terms, contained in any buyer communication in any form, unless agreed to in a writing signed by an officer of Socla.



A WATTS Brand

Socla sas

365 rue du Lieutenant Putier • 71530 Virey-Le-Grand • France
 Tel. +33 03 85 97 42 00 • Fax +33 03 85 97 42 42
contact@wattswater.com • www.socla.com
 ISO 9001 version 2015 / ISO 18001