

# 302

Non-return foot valve  
02 System

## Technical Data Sheet



Valve with very wide range of applications. It prevents water hammering, it's noiseless and the quality-price ratio is optimal.

- Operates in any position from horizontal to vertical ascending
- Compactness
- Minimum head loss
- Exceptional robustness
- Closing system : long back axial guiding and reduced displacement
- Sealing guaranteed by a flat seal
- Return spring



## 302

Non-return foot valve - 02 System

DN	PN	PFA bar	PS in bar				Cat.	Ref. Steel strainer	Ref. Steel strainer 304L	Weight Kg	
			L1	L2	G1	G2					
2	50	10/16	16	16	16	x	x	4.3	<b>149B2754</b>	<b>149B15094</b>	4,3
2 1/2	65	10/16	16	16	16	x	x	4.3	<b>149B2755</b>	<b>149B15001</b>	6,4
3	80	10/16	16	16	16	x	x	4.3	<b>149B2756</b>	<b>149B14999</b>	9,3
4	100	10/16	16	16	16	x	x	4.3	<b>149B2757</b>	<b>149B15428</b>	13,6
5	125	10/16	10	10	10	x	x	4.3	<b>149B2701</b>	<b>149B15002</b>	19
6	150	10/16	10	10	10	x	x	4.3	<b>149B2702</b>	<b>149B15424</b>	28
8	200	10	10	10	10	x	x	4.3	<b>149B2703</b>	<b>149B15036</b>	48
10	250	10	10	10	10	x	x	I	<b>149B2704</b>	<b>149B14906</b>	90
12	300	10	10	10	10	x	x	I	<b>149B2705</b>	<b>149B15505</b>	133
14	350	10	10	10	10	x	x	I	<b>149B2706</b>	<b>149B97244</b>	226
16	400	10	10	10	10	x	x	I	<b>149B2707</b>	<b>149B15737</b>	343
20	500	10	10	10	10	x	x	I	<b>149B23135</b>	<b>149B99965</b>	560

\*Steel strainer 316L or others, consult us  
 \*Others flange drilling PN, consult us

**Important :**

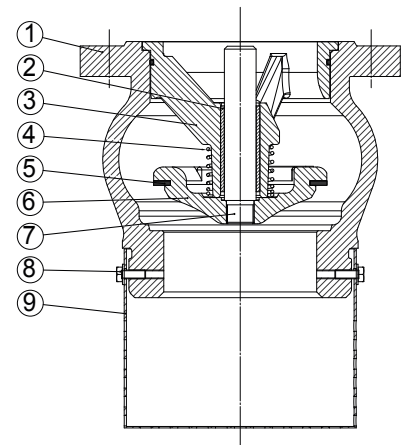
The indicated pressure for the different categories of fluids (L1/L2/G1/G2) is under no condition a guarantee of use. Therefore, it is essential to validate the use of products under given operating conditions. The operating instructions are available on our web site [www.socla.com](http://www.socla.com) or by requesting from our sales department.

**Technical features**

Operating temperature	-10 °C to 100 °C
Permissible operating pressure (PFA) in water	See table above
Maximum permissible pressure (PS) other mediums	See table above
Connection	Flange drilled PN (see table)
Mediums	Clear liquids

**Nomenclature and materials**

N°	Designation	Materials	EURO	ANSI	
1	Body	DN 50 à 400	Ductile iron / Epoxy	EN1561 EN-GJL-250	ASTM A 48 35 B
		DN 500	Cast iron / Epoxy	EN1563 EN-GJS-400-15	ASTM A 536 65-45-12
2	Ring	Except DN 50	Bronze	EN 1982 CuSn5Zn5Pb2-C GS	
		DN 50	Bronze	EN 1982 CuSn5Zn5Pb2-C GS	
3	Guide	Other DN	Ductile iron / Epoxy	EN1561 EN-GJL-250	ASTM A 48 35 B
		DN 500	Cast iron / Epoxy	EN1563 EN-GJS-400-15	ASTM A 536 65-45-12
4	Spring	Stainless Steel	EN 10270-3 X10CrNi18-8	AISI 302	
5	Seal	EPDM			
6	Closing system	DN 50-65 : one-piece	Bronze	EN 1982 CuSn5Zn5Pb2-C GS	
		DN 80 à 400	Ductile iron / Epoxy	EN1561 EN-GJL-250	ASTM A 48 35 B
		DN 500	Cast iron / Epoxy	EN1563 EN-GJS-400-15	ASTM A 536 65-45-12
7	Stem	Bronze	EN 1982 CuSn5Zn5Pb2-C GS		
8	Screw	DN 50 to 150	Galvanised steel		
		DN 200 to 400	Brass		
9	Strainer	Galvanised steel			



\*Stainless steel screws for stainless steel strainer  
 Option: 304L stainless steel strainer or 316L or other, consult us

## Approvals



**International construction Standards :**  
Directive 2014/68/UE  
Flange drilling according to EN1092-

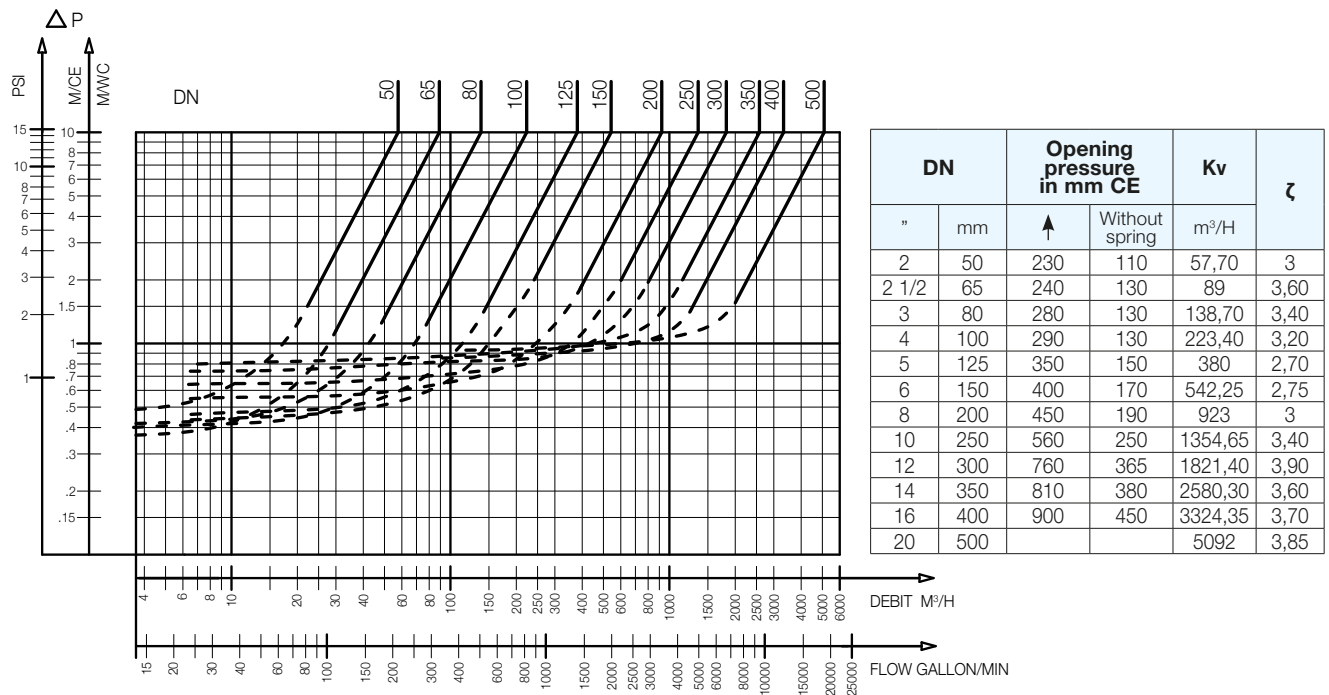
## Application

Clear water pumping.

## Operation

**Direction for use :**

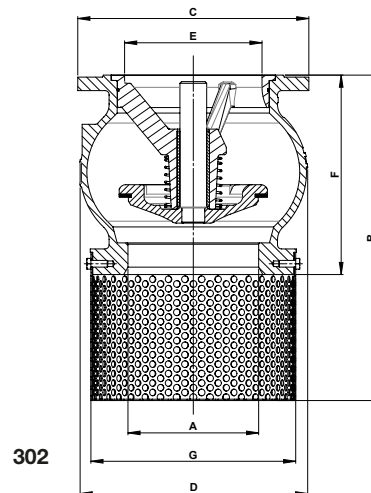
- Solid line : Valve completely open
- Dotted line : opening stage of valve



302 - Headloss Chart

## Sizing

DN	A	B	C	D	E	F	G	
"	mm							
2	50	52	144	165	99	54	100	86
2 1/2	65	66	186	185	127	68	125	107
3	80	82	219	200	153	82	147	130
4	100	105	266	220	184	106	176	160
5	125	125	334	254	220	127	204	199
6	150	150	374	285	259	152	233	214
8	200	194	483	343	338	204	296	304
10	250	237	572	406	420	254	367	355
12	300	278	656	482	490	291	407	425
14	350	325	773	533	584	334	491	495
16	400	370	877	597	678	384	561	628
20	500	454	1094	670	882	474	750	690



The descriptions and photographs contained in this product specification sheet are supplied by way of information only and are not binding.

Socla reserves the right to carry out any technical and design improvements to its products without prior notice. Warranty : All sales and contracts for sale are expressly conditioned on the buyer's assent to Socla terms and conditions found on its website at [www.socla.com](http://www.socla.com). Socla hereby objects to any term, different from or additional to Socla terms, contained in any buyer communication in any form, unless agreed to in a writing signed by an officer of Socla.



**A WATTS Brand**

**Socla sas**

365 rue du Lieutenant Putier • 71530 Virey-Le-Grand • France  
 Tel. +33 03 85 97 42 00 • Fax +33 03 85 97 42 42  
[contact@wattswater.com](mailto:contact@wattswater.com) • [www.socla.com](http://www.socla.com)  
 ISO 9001 version 2015 / ISO 18001