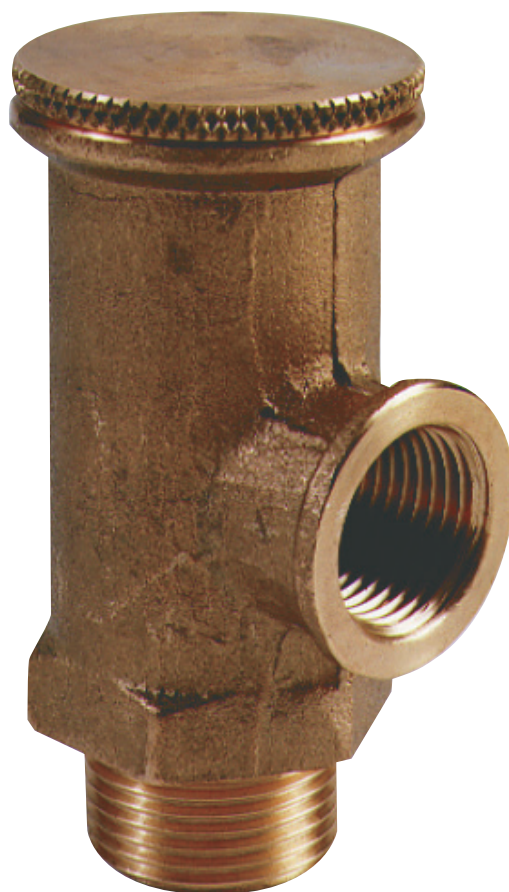


14 BIS HPT / 14 BIS BPT

Safety valve with progressive opening

Technical Data Sheet

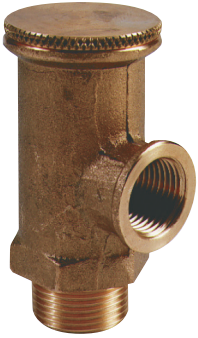


Description

The Safety valve 14 BIS HPT / 14 BIS BPT has a PTFE high temperature valve. It can be installed in any position is always delivered unset and not safety sealed.

- 14 BIS HPT : settings from 2 and 15 bar

- 14 BIS BPT : settings from 0,5 and 1,9 bar



14 BIS HPT / 14 BIS BPT

Safety valve with progressive opening

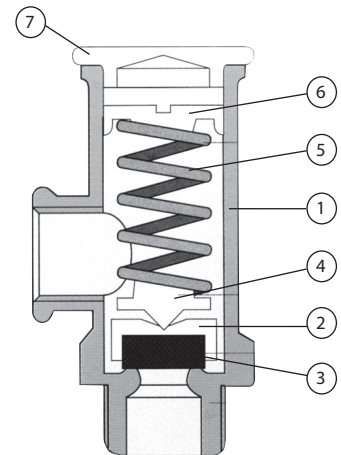
DN		PFA in bar	Ref.	Weight Kg
"	mm			
14 BIS HPT				
3/8	10	16	149B7121	0,165
1/2	15	16	149B7122	0,170
3/4	20	16	149B7123	0,290
1	25	16	149B7124	0,450
14 BIS BPT				
3/8	10	2	149B7085	0,165
1/2	15	2	149B7086	0,170
3/4	20	2	149B7087	0,290
1	25	2	149B7088	0,450

Technical features

Operating temperature	Mini. : 80 °C / Maxi. in permanent service : 200 °C
Permissible operating pressure (PFA) in water	See table above
Connection	Inlet male/outlet female, BSP thread
Mediums	Water, other mediums : consult us

Nomenclature and materials

N°	Designation	Materials	EURO	ANSI
1	Body	Bronze	CuSn5Zn5Pb5	ASTM B 505
2	Seal box	Brass	CuZn39Pb3	ASTM B 124
3	Seal	PTFE		
4	Centering system	Brass	CuZn39Pb3	ASTM B 124
5	Spring	Stainless steel	X10CrNi18-8	AISI 302
6	Adjusting screw	Brass	CuZn39Pb3	ASTM B 124
7	Plug	Brass	CuZn39Pb3	ASTM B 124



Approvals

ACS

International construction Standards :

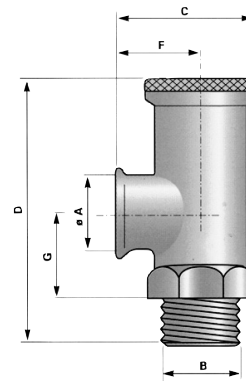
Thread connection EN ISO 228

Application

The Safety valve 14 BIS HPT / 14 BIS BPT is for the water distribution and hot water heating systems.

Sizing

DN	ØB	ØA	C	D	F	G
"	mm	mm	mm	mm	mm	mm
3/8	12/17	12/17	40	71	24	20
1/2	15/21	12/17	40	71	24	20
3/4	20/27	15/21	48	83	28	26,5
1	26/34	20/27	57	95	33	31,5



14 BIS HPT
14 BIS BPT

The descriptions and photographs contained in this product specification sheet are supplied by way of information only and are not binding.

Socla reserves the right to carry out any technical and design improvements to its products without prior notice. Warranty : All sales and contracts for sale are expressly conditioned on the buyer's assent to Socla terms and conditions found on its website at www.socla.com. Socla hereby objects to any term, different from or additional to Socla terms, contained in any buyer communication in any form, unless agreed to in a writing signed by an officer of Socla.



A WATTS Brand

Socla sas

365 rue du Lieutenant Putier • 71530 Virey-Le-Grand • France

Tel. +33 03 85 97 42 00 • Fax +33 03 85 97 42 42

contact@wattswater.com • www.socla.com

ISO 9001 version 2015 / ISO 18001